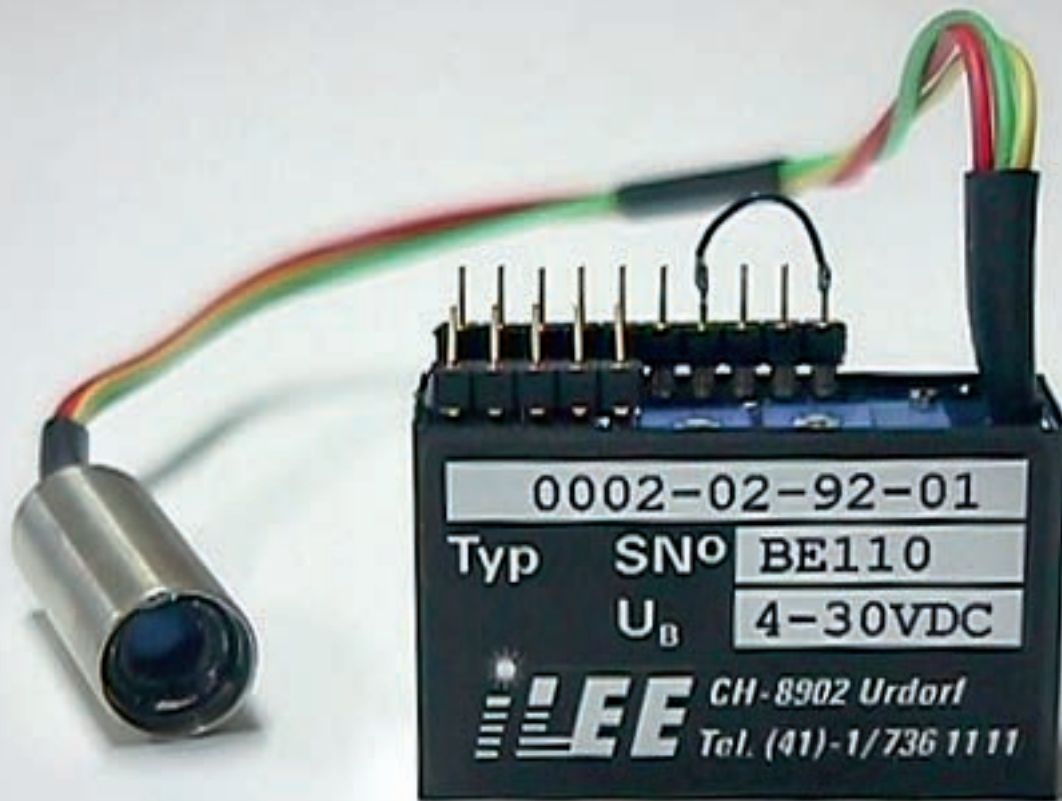


LASER MODULE – LDA 2000-SERIES

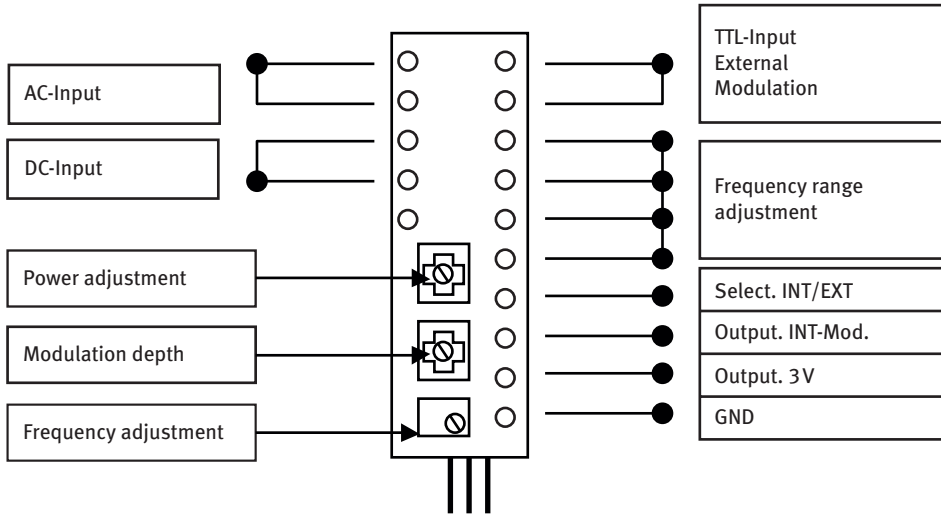


LDA-series are recognised by a functionally design. Due to the high variation of possibilities which the standard modules already provide, the LDA modules are suitable for a large range of industrial applications.

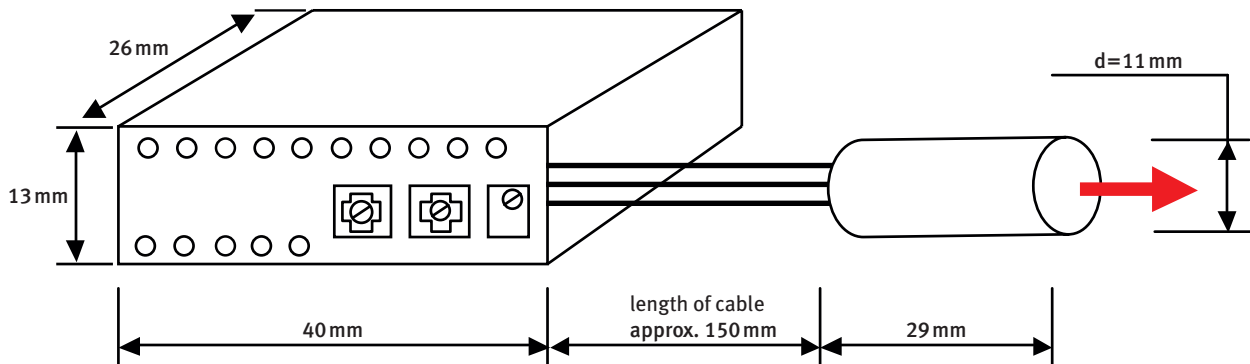
CHARACTERISTICS

- Compact design
- Solid build for industrial use
- Operating voltage 4 – 30VDC
- Module for laser diodes up to approx. 40mW
- Internal and external modulation
- Beam shape 5 x 3 mm after 1 m
- Beam shape 16 x 5.5 mm after 20 m

ELECTRICAL CONNECTIONS



DIMENSIONS



TECHNICAL DATA

Laser diode module	Product number	Wavelength [nm]	Output power [mW]	Laser class
LDA2010-3	0002-05-92-01	670	0.5 – 3.5	2-3B
LDA2012-3	0002-17-92-01	650	0.5 – 3.5	2-3B
LDA2015-3	0002-22-92-01	670	0.5 – 7.0	2-3B
LDA2035-3	0002-28-92-01	635	0.5 – 3.5	2-3B
LDA2040-3	0002-30-92-01	680	0.5 – 12	2-3B
LDA2050-3	0002-35-92-01	690	0.5 – 18	2-3B