



## ILEE® LDA STANDARD

### CHARACTERISTICS

- Solid built for industrial use
- Compact housing
- Beam shape: dot or line
- Focusable
- AR coated glass lens
- Low power consumption

### APPLICATIONS

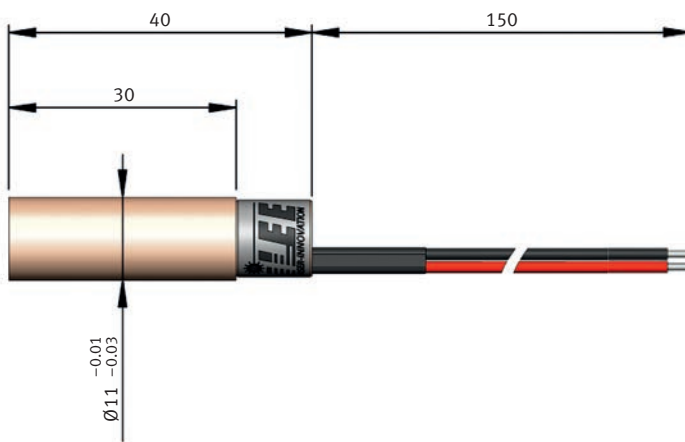
- Measurement
- Pointing
- Alignment
- Positioning

## TECHNICAL DATA

Wave-length nm	Optical output mW	Beam shape	Laser class <sup>1)</sup>	Divergence <sup>2)</sup> mrad	Wavelength shift <sup>3)</sup> nm/°C	Output power stability <sup>3)</sup> % 25°C	Ripple noise 4–6VDC rms	Order number
● 635	<1	Dot	2	<0.5	0.25	<0.5	<1%	0030-01-92-01
● 635	<1	Line <sup>4)</sup>	2M	–	0.25	<0.5	<1%	0030-30-92-01
● 635	~3.5	Dot	3R	<0.5	0.25	<0.5	<1%	0030-03-92-01
● 635	~3.5	Line <sup>4)</sup>	3R	–	0.25	<0.5	<1%	0030-31-92-01

<sup>1)</sup> EN/ISO 60825-1 <sup>2)</sup> E@FWHM <sup>3)</sup> after warmup <sup>4)</sup> ~100 mm line length @ 100 mm distance

## DIMENSIONS (MM)



## ELECTRICAL CONNECTIONS

VCC: Red (+)      Operating voltage: 4–6 VDC (8–32 VDC available on request)  
GND: Black (-)

Attention: Polarity on housing: –



Laser beams can cause damage to your eyes.  
The user is responsible to observe the local safety regulations.

Mistakes and technical changes reserved.

## Rheinmetall Air Defence AG

Birchstrasse 155 · CH 8050 Zurich · Switzerland · Phone +41 44 316 22 11  
ilee.rad@rheinmetall.com · www.ilee.ch

