



## ILEE® BEAM EXPANDER 2.5X

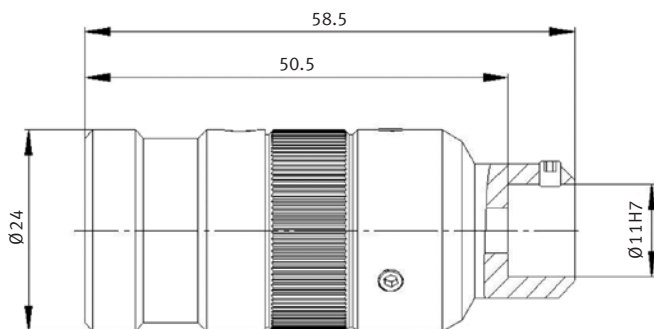
### SHORT DESCRIPTION

The available variation of the focal length offered by this Beam expander makes it a versatile tool for the optical workbench.

### CHARACTERISTICS

- Direct clamp fit on module
- Compact design
- Open aperture objective (Small dot on wide distance)

### DIMENSIONS (MM)



### TECHNICAL DATA

Wavelength	630 – 900 nm
Max. input power	100 mW
Beam shape	Dot
Order number	0007-01-92-01

### Rheinmetall Air Defence AG

Birchstrasse 155 · CH 8050 Zurich · Switzerland · Phone +41 44 316 2211  
 ilee.rad@rheinmetall.com · www.ilee.ch