



ILEE® BARRELBEAM

CHARACTERISTICS

- Colimated dot laser
- Laser in X-Y axis adjustable
- ± 20 mrad angle of adjustment travel
- Stepless adjustment (no click)
- Mounting via $\varnothing 12 H7 \times 20$ bore
- On/off switch
- AR coated glass lens
- Battery powered (AAA/LR03)

APPLICATIONS

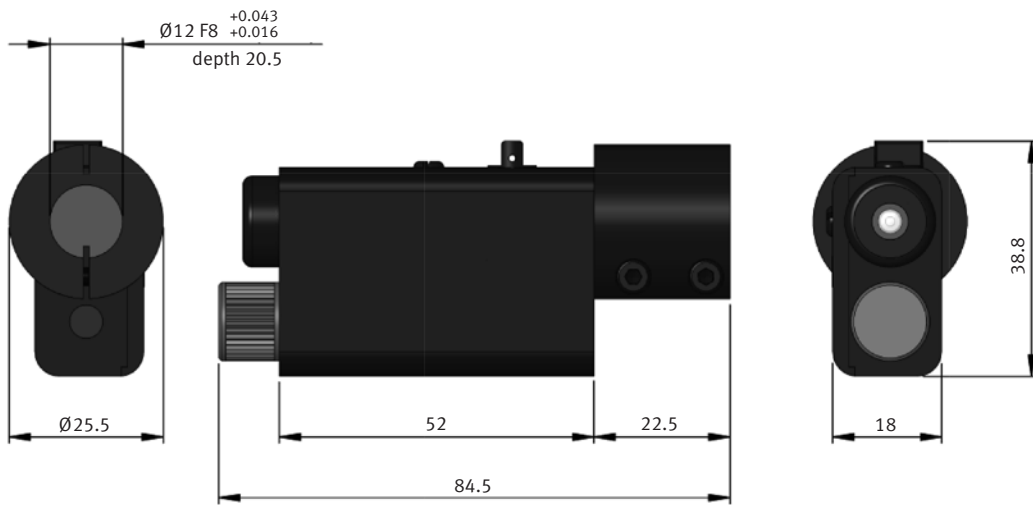
- Pointing
- Alignment
- Positioning

TECHNICAL DATA

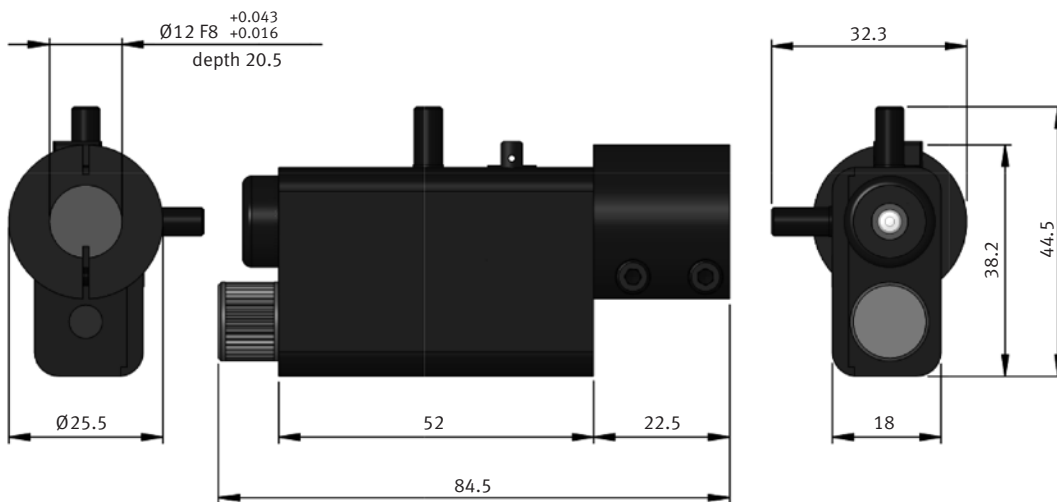
Wave-length nm	Optical output mW	Beam shape	Laser class ¹⁾	Divergence ²⁾ mrad	Wavelength shift ³⁾ nm/°C	Output power stability ³⁾ % 25°C	Order number
• 635	<1	Dot	2	<0.5	0.25	<0.5	0105-13-92-01
• 635	<1	Dot	2	<0.5	0.25	<0.5	0105-13-92-02

¹⁾ EN/ISO 60825-1 ²⁾ E@FWHM ³⁾ after warmup

DIMENSIONS (MM)



illus.: 0105-13-92-01



illus.: 0105-13-92-02



Laser beams can cause damage to your eyes.
The user is responsible to observe the local safety regulations.

Mistakes and technical changes reserved.

Rheinmetall Air Defence AG

Birchstrasse 155 · CH 8050 Zurich · Switzerland · Phone +41 44 316 22 11
ilee.rad@rheinmetall.com · www.ilee.ch

