



HPLT SINGLEBEAM

DESCRIPTION

The SingleBeam is available since several years and is operated in a wide variety of applications. As an infrared target marker or an infrared illuminator, it is a very useful tool in various situations. Due to the compactness and sturdiness of the housing the laser is most suitable for installations where space is restricted. The adjustment mechanism contains a click lock latch which ascertains that the laser beam remains in position even when exposed to high vibrations. For this particular model however, the power is from an external source.

CHARACTERISTICS

- IR Laser 830 nm
- Laser power up to 90 mW
- ON/OFF operation by remote trigger connector
- Power supply by external 5 VDC source
- Potential free insulated housing
- Laser adjustable in X and Y axis
- Black anodised housing
- Watertight IP67

TECHNICAL DATA

Laser cw-emitter*

Wavelength 830 nm

Optical output <90 mW

Full angle divergence <0.22 x 0.43 mrad

Laser class 3B

Power supply External DC-Supply (stabilised)

Voltage 5 V (±10%)

Current <150 mA

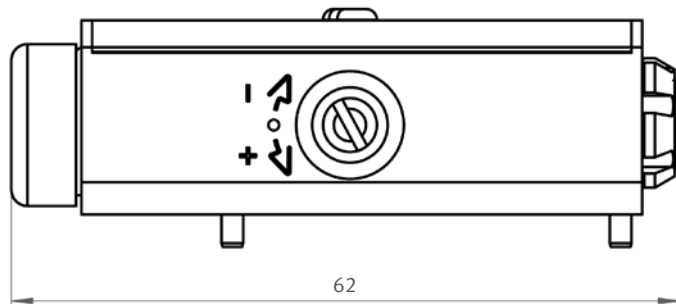
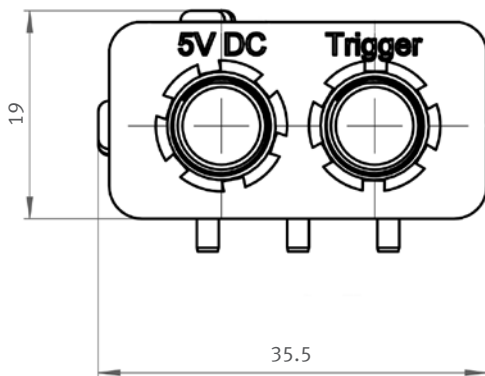
Weight <60 g

Connector 2 pin Fischer connector 102 Serie

Unless otherwise noted, the values are correct at ambient room temperature and under normal use.

** cw-emission of max. 10 min., followed by an equal inactive period.*

DIMENSIONS



Laser beams can cause damage to your eyes.
The user is responsible to observe the local safety regulations.

Mistakes and technical changes reserved.

Rheinmetall Air Defence AG

Birchstrasse 155 · CH 8050 Zurich · Switzerland · Phone +41 44 316 22 11
lasersolutions_rad@rheinmetall.com · www.rheinmetall-defence.com